

Part number

CAP 16 LS



Brief description:

surface mounting housings with single lever, size "77.27", metal cover, Pg21, metal version, IP65

Product description

| | |
|---------------------|---|
| Version | metal version |
| Series | surface mounting housings with single lever |
| Product type | with 1 lever |
| Variant | metal cover |
| Style | high construction |
| Family | CLASS enclosures |
| Size | size "77.27" |

Technical data

| | |
|--------------------------------|-------|
| Material | metal |
| IP degree of protection | IP65 |
| Cable entry | Pg21 |

Further technical details

| | |
|---------------|----------|
| Weight | 475,00 g |
|---------------|----------|

Approvals / Standards

| | |
|---------------------|---|
| Quality mark |  (type:4/4X/12),  , EAC |
| Conformity | CQC, CE |

General ordering information

| | |
|----------------------|---------------|
| EAN13 code | 8015747008129 |
| Tariff number | 85369095 |

Packaging Information

| | |
|----------------------------------|-----------------------|
| Packaging length | 475,00 mm |
| Packaging height | 220,00 mm |
| Packaging width | 175,00 mm |
| Packaging weight | 4,75 kg |
| Packaging volume | 18,29 dm ³ |
| Packaging description | Carton box |
| Packaging quantity | 10 Pcs |
| Packaging EAN code | 8015747236676 |
| Sub-packaging weight | 2,38 kg |
| Sub-packaging description | Plastic pakaging |
| Sub-packaging quantity | 5 Pcs |
| Sub-packaging EAN barcode | 8015747236683 |

Part number

CAP 16 LS

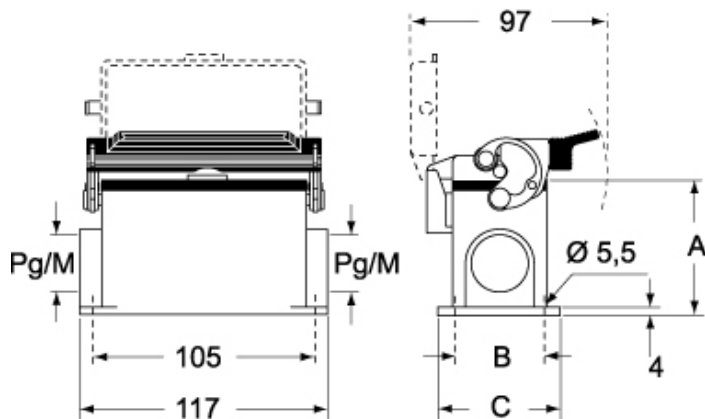


Catalogue drawings

CHP L CAP L - MHP L MAP L



CHP LS CAP LS - MHP LS MAP LS



| | A |
|------------------------|----------|
| CHP L / MHP L | 63 |
| CAP L / MAP L | 77 |
| CHP LS / MHP LS | 63 |
| CAP LS / MAP LS | 77 |